



# 产品规格书

## Product specification

文件编号 Document NO: ZM-JS-CRS23-0444

<b>客户名称</b> Customer:			
<b>客户零件编号</b> Customer part number:			
<b>择明产品名称</b> ZEMING product name: <b>电流互感器</b> current transformer			
<b>择明产品型号</b> ZEMING Product number: ZMCT354B			
<b>文件发布日期</b> Document release date: <b>2023 年 9 月 18 日</b> September 18, 2023			
<b>文件有效期</b> File validity period: <b>长期</b> long time			
<b>版本号</b> Version number: <b>A1</b>			
择明审批确认 ZEMING Approval and verification		客户确认(签字或盖章均有效) Customer confirmation(sign or stamp)	
批准 Approval	审核 Audit	编制 Draw up	确认人 Confirmer: 日期 Date:
<b>特别申明:</b> 1.此技术保证书请客户在 7 个工作日内确认回复, 若在规定的时间内未答复, 择明将视为同意。This is Technical Guarantee. Please customer confirm it and reply within 7 working days. And if it not be replied within the prescribed time, ZEMING will deem that customer has agreed it. 2.本技术协议为客供各执一份, 客户端为原件。客户端确认后, 也可以将此转换为自己控制协议, 但内部协议条款不允许修改变动.This technical agreement is in duplicate,supplier holding one copy and customer holding the original copy. After being confirmed by customer,this agreement can also transform to be internal control agreement,but the terms of this agreement can not be allowed to modify changes. 3.双方确认后均需按照协议里面之相关要求来进行控制, 有违协议要求的导致 产品问题, 需己方自行承担。After confirmed by both parties,it shall be carried out in according to the requirements of agreement, And against this agreement,it caused any products' problem,to duty party own bear. 4.客供双方提出变更必须使用此文件作为变更主页(可带附页)。This document must be used as main or home page of changes(can be with attached pages) when both parties propose changes.			

Add: Dabogeliu village, Jinniu Town, Qingxian, Cangzhou City, Hebei Province, China. 062650

河北省沧州市青县金牛镇大鹁鸽留工业园, 邮编: 062650

Tel: 86-25-52601870

mail: zm@zeming-e.com

Website: [www.micro-transformer.com](http://www.micro-transformer.com)



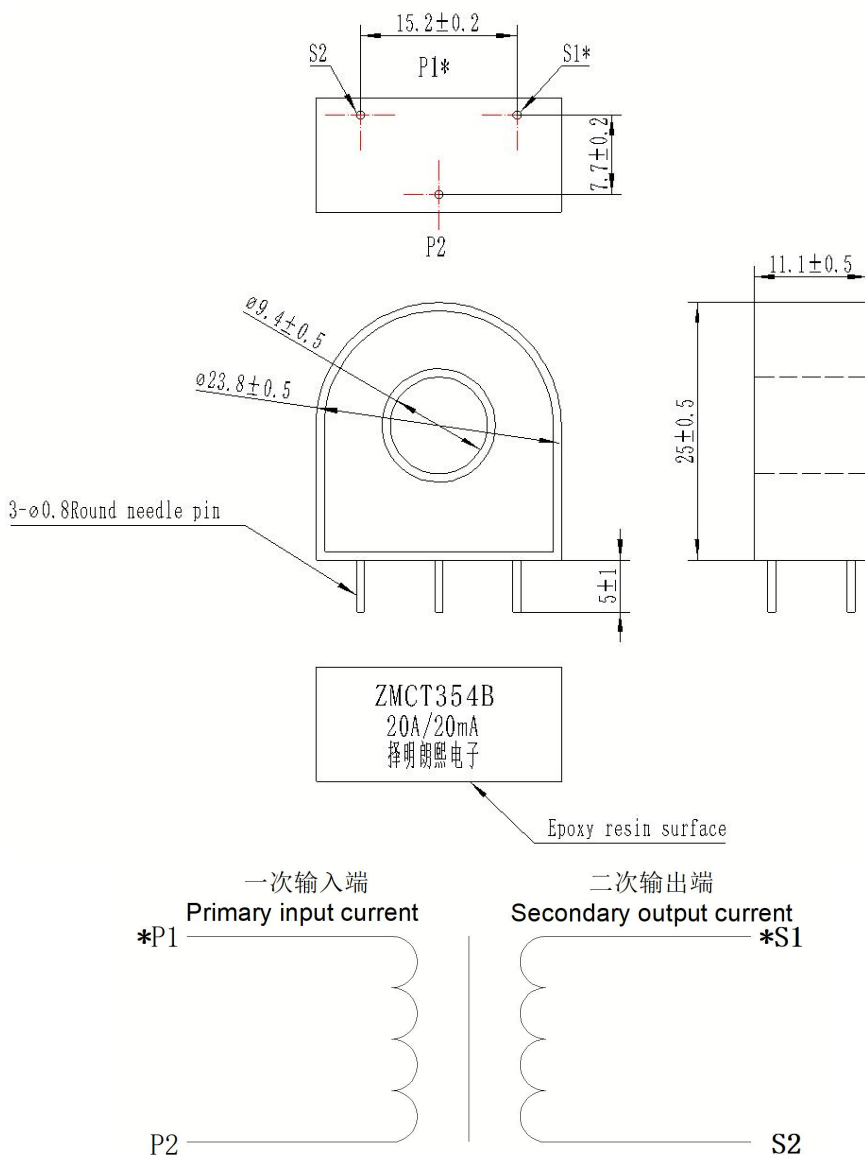
变更记录  
Change record

客户 Customer:		产品型号 Product model:		
变更版本 Version	变更时间 Date	变更记录 Content of change	变更原因 Change reason	变更执行人员 Operator
A1	2023.9.18	首版 The first edition	创建规格书 Create specification	张自强 Zhang Zi Qiang



## 电流互感器规格书 current transformer specification

### 1. 尺寸 Size



#### 备注 Notes:

- 1) Unit 单位: mm
- 2) Current direction 电流方向: “\*” 代表 “同名端”-- “\*” means “same Polarity”;
- 3) The position of the standard sample is shown in the above figure 标样位置见上图所示

Add: Dabogeliu village, Jinniu Town, Qingxian, Cangzhou City, Hebei Province, China. 062650

河北省沧州市青县金牛镇大鹤留工业园, 邮编: 062650

Tel: 86-25-52601870

mail: zm@zeming-e.com

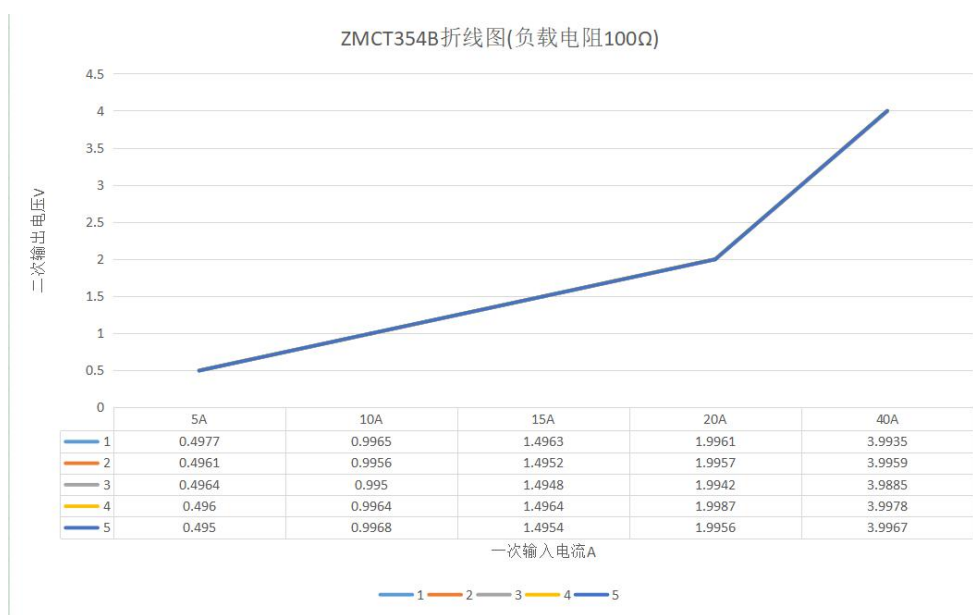
Website: [www.micro-transformer.com](http://www.micro-transformer.com)



## 2. 特性参数 characteristic parameters:

参数 Characteristics	数值 Values
工作频率 Operating frequency	50/60 Hz
工作温度 Operating temperature	-40°C ~+85°C
变比 Transformation ratio	1000:1
额定一次输入 Rated primary input	20A
最大电流 maximum current	50A
额定二次输出 Rated secondary output	20mA
相位差 Phase angle error	/
允许误差 Permissible error	-2.0%≤f≤+2.0%
负载电阻 User supplied burden resistor	100 Ω
应用范围 Application	电流和功率测量 current and power measurement
绝缘耐压测试 Insulation withstand voltage test	4Kv/1min/1mA
绝缘电阻 Insulation resistance	>500MΩ/500Vdc

## 3. 折线图 line chart



Add: Dabogeliu village, Jinniu Town, Qingxian, Cangzhou City, Hebei Province, China. 062650

河北省沧州市青县金牛镇大鹤留工业园, 邮编: 062650

Tel: 86-25-52601870

mail: zm@zeming-e.com

Website: [www.micro-transformer.com](http://www.micro-transformer.com)



#### 4. BOM 明细表 BOM List

编号 No.	材料 Material	规格 Spec. model	UL 编码 UL code	制造商 Manufacturer
1	铁芯 Inner core	硅钢铁芯 Silicon steel core	/	河北凯瑞思电子科技有限公司 Hebei kairuisi electronic technology co., ltd
2	漆包线 Winding	2UEW	E206822	无锡巨丰复合线有限公司 Wuxi jufeng composite line co., ltd
3	外壳 Outside shell	PBT, Black	E59481	长春塑料 CHANGCHUN PLASTICS CO.,LTD
4	环氧树脂 Epoxy resin	TXH-9201-31	E196959	天津津桥 TIANJIN XINQIAO INSULATING MATERIAL CO
5	引针 Leading wires	黄铜镀锡 Brass tin plating	/	黄骅益捷 Huanghua yijie hardware products co., ltd
6	胶带 Tape	阻燃环保 Flame retardant, Environmental protection	E328315	深圳新华辉 SHENZHEN XINHUAHUI
7	焊锡 Tin	无铅锡条 Lead-free tin bar, Sn99.3/Cu0.7	/	浙江亚通 Zhejiang Yatong Welding Materials Co., Ltd

Add: Dabogeliu village, Jinniu Town, Qingxian, Cangzhou City, Hebei Province, China. 062650

河北省沧州市青县金牛镇大鹤留工业园, 邮编: 062650

Tel: 86-25-52601870

mail: zm@zeming-e.com

Website: [www.micro-transformer.com](http://www.micro-transformer.com)